



# P

## “Plunger Piston Motor-driven pumps”

The metering pumps P series are driven by an electric motor, the dosage takes place thanks to a piston. The P series pumps make their robustness and reliability their main characteristic

### General Features

- Valves: PVC pump head – double ball valves, except for piston Ø95 with single ball - SS316L – Single ball, except for piston Ø16 and Ø30 with double balls
- Frequency: 60, 103 and 120 strokes/min at 50Hz - 72 and 122 strokes/min at 60Hz
- Die-cast aluminum housing protected by epoxy/antiacid paint
- Max Flow Rate: 1027 l/h at 50Hz - 1004 l/h at 60Hz
- Max Pressure: 25 bar
- Standard power supply: 230-400V 3phase 50Hz
- Motor: 0.25, 0.37, 0.55 or 0.75 kW
- Pump head: PVC, SS316L or PVDF
- Balls: ceramic or SS316L
- Ball seats: FPM, EPDM or NBR
- Valves seats: PVC or PVDF
- Piston in SS316 or Ceramic
- Piston seals NBR, FPM or EPDM
- Protection degree:

### On request

ST-D pumps series can be equipped with

### Motorizations:

- Without motor • UL/CSA motor certification • Single-phase motor
- Self-ventilated motor • ATEX motor
- Tropicalized motor

### Hydraulic:

- NPT hydraulic connections • Larger dimensions valves

### Regulation and control by an external signal:

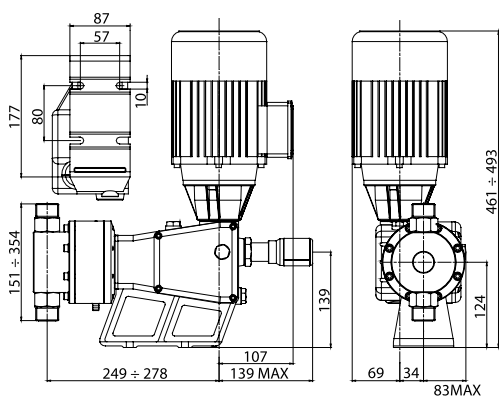
- Electric actuator (automatic adjustment of piston “run” by a 4-20mA signal) • Inverter (automatic adjustment of motor speed by a 4-20mA signal)

Code	Flow rate		Delivery Head AISI		Code	Flow rate		Delivery Head PVC	
	l/h (US Gal/h)	bar (psi)	bar (psi)	bar (psi)		l/h (US Gal/h)	bar (psi)	bar (psi)	bar (psi)
BP0014AA00000	14 (3,69)	25 (360)	25 (360)	25 (360)	BP0014BA00000	14 (3,69)	-	-	-
BP0024AA00000	24 (6,34)	25 (360)	25 (360)	25 (360)	BP0024BA00000	24 (6,34)	-	-	-
BP0029AA00000	29 (7,66)	25 (360)	25 (360)	25 (360)	BP0029BA00000	29 (7,66)	-	-	-
BP0052AA00000	52 (13,74)	20 (290)	20 (290)	20 (290)	BP0052BA00000	52 (13,74)	10 (145)	10 (145)	10 (145)
BP0088AA00000	88 (23,25)	20 (290)	20 (290)	20 (290)	BP0088BA00000	88 (23,25)	10 (145)	10 (145)	10 (145)
BP0103AA00000	103 (27,21)	18 (261)	18 (261)	18 (261)	BP0103BA00000	103 (27,21)	10 (145)	10 (145)	10 (145)
BP0128AA00000	128 (33,81)	12 (174)	12 (174)	12 (174)	BP0128BA00000	128 (33,81)	10 (145)	10 (145)	10 (145)
BP0220AA00000	220 (58,12)	9 (131)	9 (131)	9 (131)	BP0220BA00000	220 (58,12)	9 (131)	9 (131)	9 (131)
BP0256AA00000	256 (67,63)	7,5 (109)	7,5 (109)	7,5 (109)	BP0256BA00000	256 (67,63)	7,5 (109)	7,5 (109)	7,5 (109)
BP0251AA00000	251 (66,31)	6 (87)	6 (87)	6 (87)	BP0251BA00000	251 (66,31)	6 (87)	6 (87)	6 (87)
BP0431AA00000	431 (113,86)	4,5 (65)	4,5 (65)	4,5 (65)	BP0431BA00000	431 (113,86)	4,5 (65)	4,5 (65)	4,5 (65)
BP0503AA00000	503 (132,88)	3,5 (51)	3,5 (51)	3,5 (51)	BP0503BA00000	503 (132,88)	3,5 (51)	3,5 (51)	3,5 (51)
BP0128AA00600	128 (33,81)	18 (262)	18 (262)	18 (262)	BP0128BA00600	128 (33,81)	10 (145)	10 (145)	10 (145)
BP0220AA00600	220 (58,12)	16 (232)	16 (232)	16 (232)	BP0220BA00600	220 (58,12)	10 (145)	10 (145)	10 (145)
BP0256AA00600	256 (67,63)	13 (189)	13 (189)	13 (189)	BP0256BA00600	256 (67,63)	10 (145)	10 (145)	10 (145)
BP0251AA00600	251 (66,31)	9 (131)	9 (131)	9 (131)	BP0251BA00600	251 (66,31)	9 (131)	9 (131)	9 (131)
BP0431AA00600	431 (113,86)	7 (102)	7 (102)	7 (102)	BP0431BA00600	431 (113,86)	7 (102)	7 (102)	7 (102)
BP0503AA00600	503 (132,88)	6 (87)	6 (87)	6 (87)	BP0503BA00600	503 (132,88)	6 (87)	6 (87)	6 (87)
BP0251AA00700	251 (66,30)	11 (160)	11 (160)	11 (160)	BP0251BA00700	251 (66,30)	10 (145)	10 (145)	10 (145)
BP0431AA00700	431 (113,86)	9 (131)	9 (131)	9 (131)	BP0431BA00700	431 (113,86)	9 (131)	9 (131)	9 (131)
BP0503AA00700	503 (132,9)	8 (131)	8 (131)	8 (131)	BP0503BA00700	503 (132,9)	8 (131)	8 (131)	8 (131)
BP0513AA00700	513 (135,52)	5,5 (80)	5,5 (80)	5,5 (80)	BP0513BA00700	513 (135,52)	5,5 (80)	5,5 (80)	5,5 (80)
BP0838AA00700	838(221,38)	4 (58)	4 (58)	4 (58)	BP0838BA00700	838(221,38)	4 (58)	4 (58)	4 (58)
BP1027AA00700	1027(271,3)	3 (44)	3 (44)	3 (44)	BP1027BA00700	1027(271,3)	3 (44)	3 (44)	3 (44)
BP0251AA00900	251 (66,30)	19 (276)	19 (276)	19 (276)	BP0251BA00900	251 (66,30)	10 (145)	10 (145)	10 (145)
BP0431AA00900	431 (113,86)	16,5 (239)	16,5 (239)	16,5 (239)	BP0431BA00900	431 (113,86)	10 (145)	10 (145)	10 (145)
BP0503AA00900	503 (132,9)	14,5 (210)	14,5 (210)	14,5 (210)	BP0503BA00900	503 (132,9)	10 (145)	10 (145)	10 (145)
BP0513AA00900	513 (135,52)	12 (174)	12 (174)	12 (174)	BP0513BA00900	513 (135,52)	10 (145)	10 (145)	10 (145)
BP0838AA00900	838(221,38)	8 (116)	8 (116)	8 (116)	BP0838BA00900	838(221,38)	8 (131)	8 (131)	8 (131)
BP1027AA00900	1027(271,3)	6,5 (94)	6,5 (94)	6,5 (94)	BP1027BA00900	1027(271,3)	6,5 (94)	6,5 (94)	6,5 (94)

### Technical Features

Model	Flow rate l/h (US Gal/h)		Delivery Head bar (psi) AISI		Delivery Head bar (psi) PVC		Strokes/min		Stroke length mm	Ø Piston mm	Power kW	Valves
	50 Hz	60 Hz	50 Hz	60 Hz	50 Hz	60 Hz	50 Hz	60 Hz				
BP0014	14 (3,69)	17 (4,49)	25 (360)	25 (360)	-	-	60	72	20	16	0,25	1/2" Gm
BP0024	24 (6,34)	29 (7,66)	25 (360)	25 (360)	-	-	103	122	20			
BP0029	29 (7,66)	-	25 (360)	-	-	-	120	-	20			
BP0052	52 (13,74)	63 (16,64)	20 (290)	20 (290)	10 (145)	10 (145)	60	72	20			
BP0088	88 (23,25)	106 (28,00)	20 (290)	18 (261)	10 (145)	10 (145)	103	122	20	30	0,25	1/2" Gm
BP0103	103 (27,21)	-	18 (261)	-	10 (145)	-	120	-	20			
BP0128	128 (33,81)	153 (40,42)	12 (174)	9,5 (138)	10 (145)	9,5 (138)	60	72	20			
BP0220	220 (58,12)	260 (68,68)	9 (131)	7,5 (109)	9 (131)	7,5 (109)	103	122	20	48	0,25	3/4" Gm
BP0256	256 (67,63)	-	7,5 (109)	-	7,5 (109)	-	120	-	20			
BP0251	251 (66,31)	302 (79,78)	6 (87)	5 (72)	6 (87)	5 (72)	60	72	20			
BP0431	431 (113,86)	512 (135,26)	4,5 (65)	3,5 (51)	4,5 (65)	3,5 (51)	103	122	20	67	0,25	1" Gm
BP0503	503 (132,88)	-	3,5 (51)	-	3,5 (51)	-	120	-	20			
BP0128	128 (33,81)	153 (40,42)	18 (262)	14,5 (210)	10 (145)	10 (145)	60	72	20			
BP0220	220 (58,12)	260 (68,68)	16 (232)	13 (189)	10 (145)	10 (145)	103	122	20	48	0,37	3/4" Gm
BP0256	256 (67,63)	-	13 (189)	-	10 (145)	-	120	-	20			
BP0251	251 (66,31)	302 (79,78)	9 (131)	7,5 (109)	9 (131)	7,5 (109)	60	72	20			
BP0431	431 (113,86)	512 (135,26)	7 (102)	5,5 (80)	7 (102)	5,5 (80)	103	122	20	67	0,37	1" Gm
BP0503	503 (132,88)	-	6 (87)	-	6 (87)	-	120	-	20			
BP0251	251 (66,30)	302 (79,78)	11 (160)	9,5 (138)	10 (145)	9,5 (138)	60	72	20			
BP0431	431 (113,86)	512 (135,26)	9 (131)	8 (116)	9 (131)	8 (116)	103	122	20	67	0,55	1" Gm
BP0503	503 (132,9)	-	8 (131)	-	8 (131)	-	120	-	20			
BP0513	513 (135,52)	614 (162,20)	5,5 (80)	4,5 (65)	5,5 (80)	4,5 (65)	60	72	20			
BP0838	838(221,38)	1004 (265,2)	4 (58)	3 (44)	4 (58)	3 (44)	103	122	20	95	0,55	1½" Gm
BP1027	1027(271,3)	-	3 (44)	-	3 (44)	-	120	-	20			
BP0251	251 (66,30)	302 (79,78)	19 (276)	17,5 (254)	10 (145)	10 (145)	60	72	20			
BP0431	431 (113,86)	512 (135,26)	16,5 (239)	14,5 (210)	10 (145)	10 (145)	103	122	20	67	0,75	1" Gm
BP0503	503 (132,9)	-	14,5 (210)	-	10 (145)	-	120	-	20			
BP0513	513 (135,52)	614 (162,20)	12 (174)	10 (145)	10 (145)	10 (145)	60	72	20			
BP0838	838(221,38)	1004 (265,2)	8 (116)	6,5 (94)	8 (131)	6,5 (94)	103	122	20	95	0,75	1½" Gm
BP1027	1027(271,3)	-	6,5 (94)	-	6,5 (94)	-	120	-	20			

### Overall Dimensions



### Pump Head configurations

Standard							
Version	Head	Connections	Piston	Piston Seals	Valve Seats	Balls	Ball Seats
AA	SS316L	SS316L	SS316L	NBR	PVDF	SS316L	NBR
BA	PVC	PVC	PTFE	Ceramic	PVC	Ceramic	FPM

On Request							
Version	Head	Connections	Piston	Piston Seals	Valve Seats	Balls	Ball Seats
AP	SS316L	SS316L	SS316L	FPM	PVDF	SS316L	FPM
AI	SS316L	SS316L	SS316L	EPDM	PVDF	SS316L	EPDM
BA	PVC	PVC	Ceramic	FPM	PVC	Ceramic	FPM
BI	PVC	PVC	Ceramic	EPDM	PVC	Ceramic	EPDM
SA	PVDF	PVDF	Ceramic	FPM	PVDF	Ceramic	FPM
SI	PVDF	PVDF	Ceramic	EPDM	PVDF	Ceramic	FPM