

eONE & eONEB SERIES



The new range of Etatron DS Dosing Pumps, the eOne series, makes an important breakthrough in the market.

Main Features (except for eOne “BASIC”):

1. “clever” control of power depending on the effective dosing conditions
 - a. Flow rate control depending on pressure variation of the installation
 - b. Energy saving
 - c. Low heating of the device
 - d. Low wear of mechanical and electrical components
2. High injection frequency (up to 300 pulses/min)
3. Multitension power supply, 100...250Vac (50/60Hz)
4. **UNDERLOAD** function – suction alarm, for low (end) chemical level, blocking suction valve or damaged suction tube
5. **OVERLOAD** function – dosing alarm, for over pressure inside the pump head, for excessive operating pressure inside the dosing pipeline, for blocking delivery valve...
6. Diaphragm: PTFE
7. External casing: Reinforced PP and chemical resistant.
8. Pump head made of PP, polymer highly resistant, with ceramic ball valves, with all sealings in FPM, which is a new elastomer compatible with a wide variety of chemicals



Basic

“Analogue electromagnetic dosing pump with constant flow”

General Features

- Manual flow rate adjustment by a knob
- Dual scale adjustment: 0 – 20% and 0 – 100%.
- Proportional mode 1:1 by water-meter pulse-sender signal
- Manual air bleed pump head
- Level probe input
- Flow rate: from 2 to 5 l/h
- Maximum pressure: up to 7 bar
- Stroke rate: up to 180 impulses/min

CE
(standard)

eOne BASIC		Version
PP	PVDF	
PEU 50 387 AA	PEU 50 387 4I	0210
PEU 50 388 AA	PEU 50 388 4I	0507



MA

“Analogue electromagnetic dosing pump with constant flow”

eOne Ma is an electronic dosing pump with a “CLEVER” control of power, depending on the effective dosing conditions

General Features

- Flow rate control depending on pressure variation of the installation
- Energy saving
- Low heating of the device
- Low wear of mechanical and electrical components
- Manual flow rate adjustment by a knob
- Dual scale adjustment: 0 – 20% and 0 – 100%.
- Proportional mode 1:1 by water-meter pulse-sender signal
- Manual air bleed pump head, except for the models 2007 and 3005.
- Level probe input
- Flow rate: from 1 to 30 l/h
- Maximum pressure: up to 20 bar
- Stroke rate: from 180 to 300 impulses/min

CE
(standard)

eOne MA		Version
PP	PVDF	
PEU 45 389 AA	PEU 45 389 4I	0110
PEU 45 391 AA	PEU 45 391 4I	0216
PEU 45 392 AA	PEU 45 392 4I	0420
PEU 45 393 AA	PEU 45 393 4I	0607
PEU 45 394 AA	PEU 45 394 4I	0710
PEU 45 395 AA	PEU 45 395 4I	1012
PEU 45 396 AA	PEU 45 396 4I	1505
PEU 45 397 AA	PEU 45 397 4I	2007
PEU 45 386 AA	PEU 45 386 4I	3005



MF

“Multifunction Microprocessor Solenoid Dosing Pump”

eOne MF is an electronic dosing pump with a “CLEVER” control of power, depending on the effective dosing conditions

General Features

- Manual air bleed pump head, except for the models 2007 and 3005.
- Manual flow rate regulation 0÷100%, 0÷300 impulses/min
- Proportional dosing modes (1 x n; 1 : n; 1 x n M; ml x I; L x I; ml x m3; PPM)
- Flow rate control depending on pressure variation of the installation
- Energy saving
- Low heating of the device
- Low wear of mechanical and electrical components
- Daily and weekly timer (16 programmes/day)
- Relay output
- 4-20 mA control
- Flow sensor input
- Stroke rate: from 180 to 300 impulses/min

CE
(standard)

eOne MF		Version
PP	PVDF	
PEU 48 389 AA	PEU 48 389 4I	0110
PEU 48 391 AA	PEU 48 391 4I	0216
PEU 48 392 AA	PEU 48 392 4I	0420
PEU 48 393 AA	PEU 48 393 4I	0607
PEU 48 394 AA	PEU 48 394 4I	0710
PEU 48 395 AA	PEU 48 395 4I	1012
PEU 48 396 AA	PEU 48 396 4I	1505
PEU 48 397 AA	PEU 48 397 4I	2007
PEU 48 386 AA	PEU 48 386 4I	3005

eOne B MF		Version
PP	PVDF	
PBU 48 389 AA	PBU 48 389 4I	0110
PBU 48 391 AA	PBU 48 391 4I	0216
PBU 48 392 AA	PBU 48 392 4I	0420
PBU 48 393 AA	PBU 48 393 4I	0607
PBU 48 394 AA	PBU 48 394 4I	0710
PBU 48 395 AA	PBU 48 395 4I	1012
PBU 48 396 AA	PBU 48 396 4I	1505
PBU 48 397 AA	PBU 48 397 4I	2007
PBU 48 386 AA	PBU 48 386 4I	3005



Plus

“Multi-function Microprocessor Solenoid Dosing Pump With pH, Rx or Cl (ppm) and proportional control”

eOne PLUS is an electronic dosing pump with a “CLEVER” control of power, depending on the effective dosing conditions

General Features

- Flow rate control depending from pressure variation of the installation
- Energy saving
- Low heating of the device
- Low wear of mechanical and electrical components
- High injection frequency up to 300 pulses/min
- Manual flow rate regulation 0÷100%, 0÷300 impulses/min
- Maximum pressure: up to 20 bar
- Manual air bleed pump head, except for the models 2007 and 3005.
- Flow rate: from 1 to 30 l/h
- Stroke rate: from 180 to 300 impulses/min
- Proportional dosing modes (1 x n; 1 : n; 1 x n M; ml x I; L x I; ml x m3; PPM)
- Measure ranges: 0.00– 14.00 pH; -1000 /+1400 mV Redox; 0÷2, 0÷10, 0÷20, 0÷200 ppm
- Daily and weekly timer (16 programmes/day)
- Relay output
- ON/OFF mode or proportional mode
- DIRECT or REVERSE intervention
- PT100 temperature probe input
- 4-20 mA control
- Flow sensor input
- Hysteresis
- Level probe input

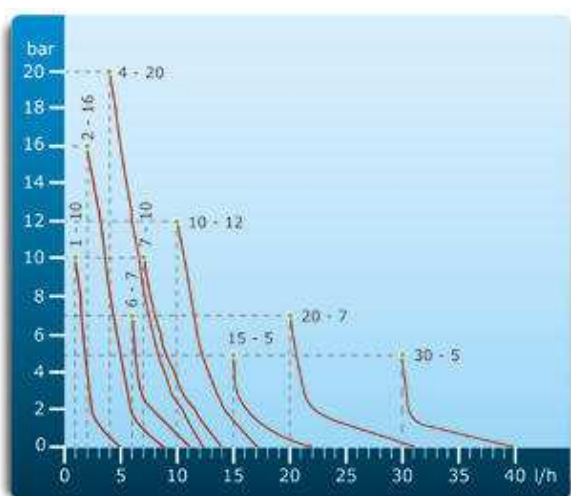
eOne PLUS		Version
PP	PVDF	
PEU 46 389 AA	PEU 46 389 4I	0110
PEU 46 391 AA	PEU 46 391 4I	0216
PEU 46 392 AA	PEU 46 392 4I	0420
PEU 46 393 AA	PEU 46 393 4I	0607
PEU 46 394 AA	PEU 46 394 4I	0710
PEU 46 395 AA	PEU 46 395 4I	1012
PEU 46 396 AA	PEU 46 396 4I	1505
PEU 46 397 AA	PEU 46 397 4I	2007
PEU 46 386 AA	PEU 46 386 4I	3005

eOne B PLUS		Version
PP	PVDF	
PBU 46 389 AA	PBU 46 389 4I	0110
PBU 46 391 AA	PBU 46 391 4I	0216
PBU 46 392 AA	PBU 46 392 4I	0420
PBU 46 393 AA	PBU 46 393 4I	0607
PBU 46 394 AA	PBU 46 394 4I	0710
PBU 46 395 AA	PBU 46 395 4I	1012
PBU 46 396 AA	PBU 46 396 4I	1505
PBU 46 397 AA	PBU 46 397 4I	2007
PBU 46 386 AA	PBU 46 386 4I	3005

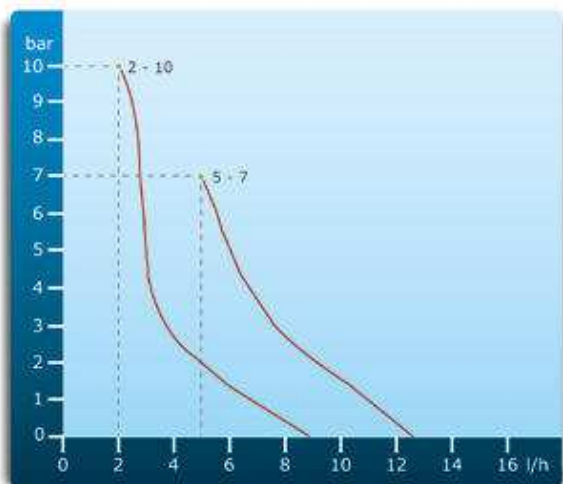
Technical Features

Version	Flow rate	Pressure	Max Frequency	Connections Int/Ext	Power supply	Power consumption
	l/h (US Gal/h)	bar (psi)	imp/min	mm		Min/Max (W)
0110	1 (0.26)	10 (145)	180	4x6	100 – 250 Vac; 50 – 60 Hz	5/23
0210	2 (0.53)	10 (145)	180	4x6	100 – 250 Vac; 50 – 60 Hz	32
0216	2 (0.53)	16 (232)	300	4x6	100 – 250 Vac; 50 – 60 Hz	5/23
0420	4 (1.06)	20 (290)	300	4x6	100 – 250 Vac; 50 – 60 Hz	10/32
0507	5 (1.32)	7 (101)	180	4x6	100 – 250 Vac; 50 – 60 Hz	32
0607	6 (1.59)	7 (101)	300	4x6	100 – 250 Vac; 50 – 60 Hz	5/23
0710	7 (1.84)	10 (145)	300	4x6	100 – 250 Vac; 50 – 60 Hz	7/26
1012	10 (2.64)	12 (174)	300	4x6	100 – 250 Vac; 50 – 60 Hz	10/32
1505	15 (3.96)	5 (72)	300	4x6	100 – 250 Vac; 50 – 60 Hz	7/26
2007	20 (5.26)	7 (101)	300	4x6	100 – 250 Vac; 50 – 60 Hz	10/35
3005	30 (7.92)	5 (72)	300	4x6	100 – 250 Vac; 50 – 60 Hz	10/35

Pressure (bar) – Flow Rate (l/h) Chart

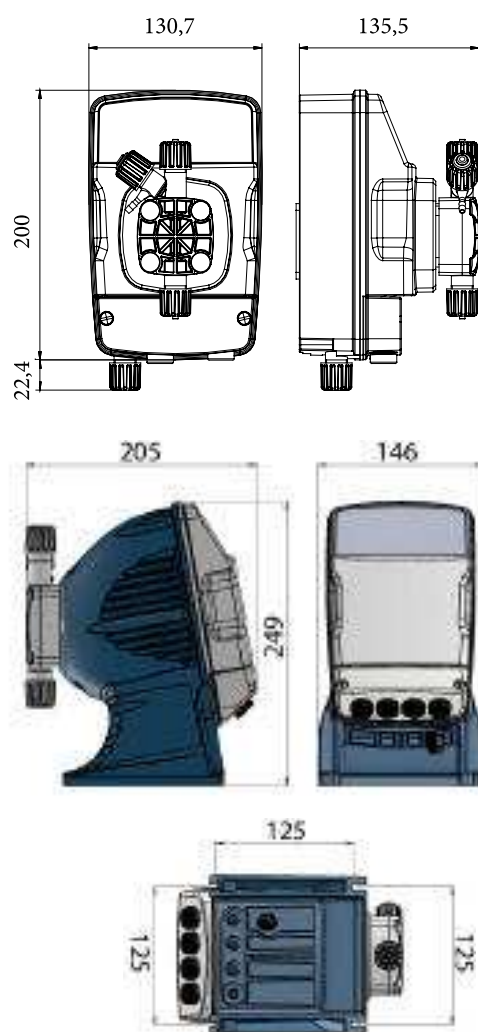


MA - MF - PLUS



BASIC

Overall Dimensions



PP-FPM kit 1-15 L

ALL eOne are supplied with a standard PP-FPM installation kit, made up of 2m discharge PE tube (4x6mm), 2m suction + 2m bleeding PVC crystal tube (4x6mm), PP foot-filter, PP injection valve. Other configurations are available upon request.

SCO 00300 02